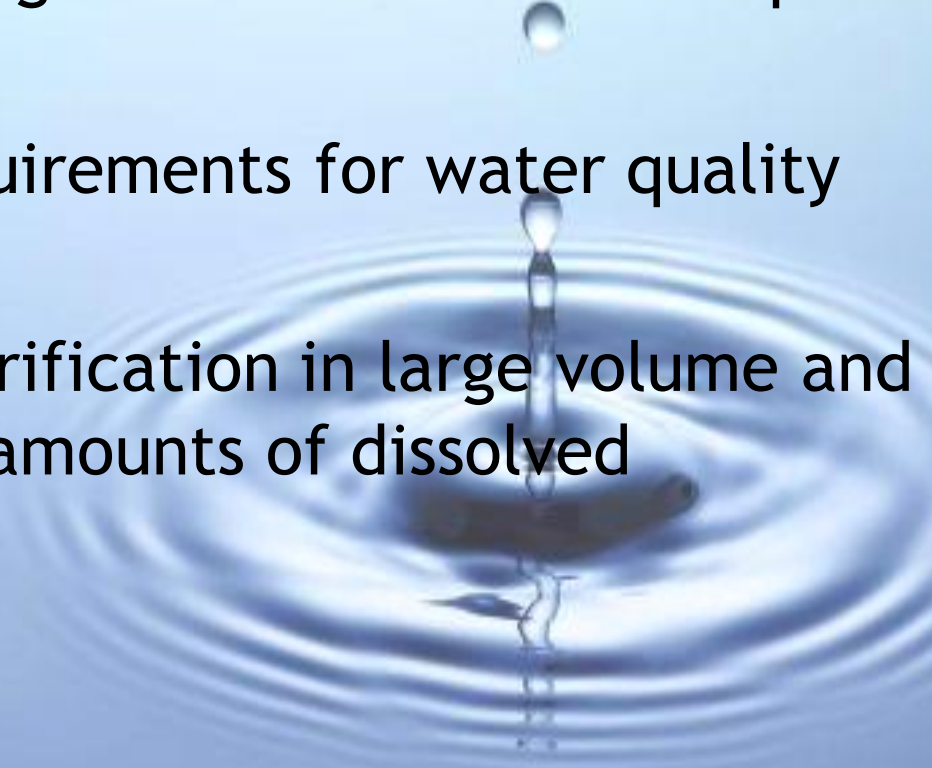


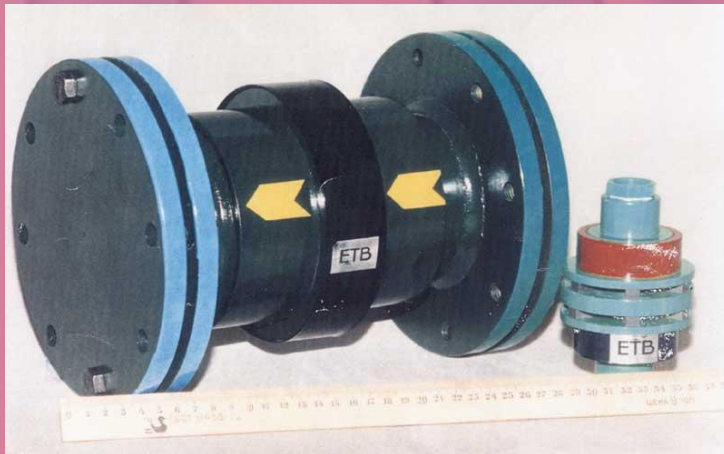
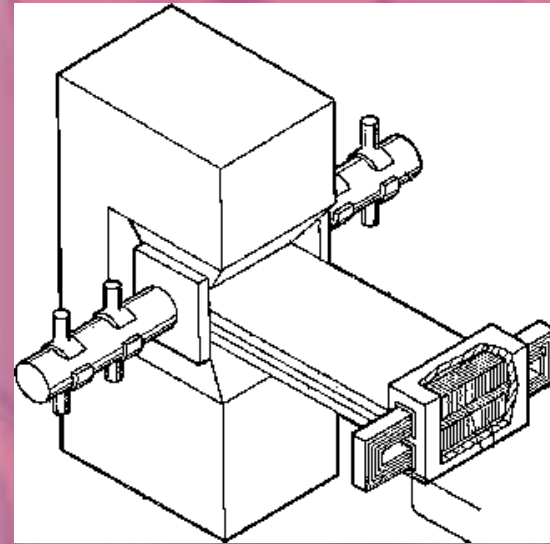
ON APPLYING OF MHD MACHINES FOR THE MASS FLOW SEPARATION IN WATER PURIFICATION FROM SOLUBLE IMPURITIES

Arthur G. Kagiroy
Tomsk polytechnic university

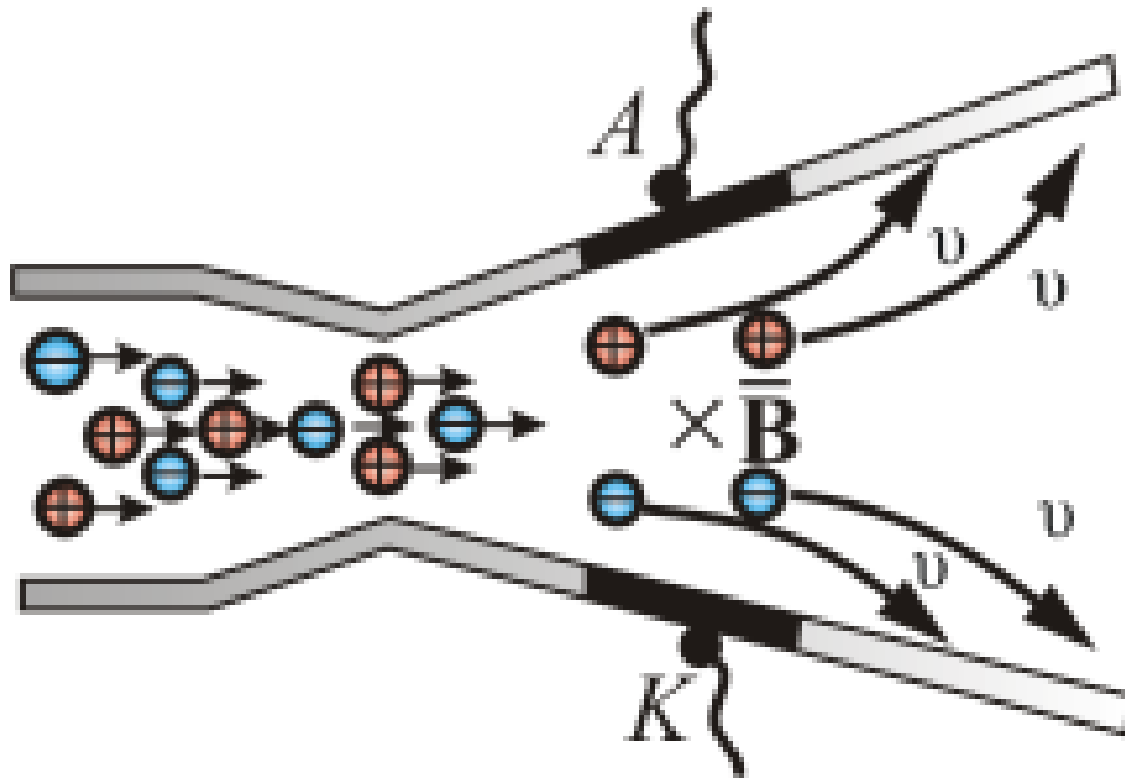
THE PROBLEMS OF WATER TREATMENT AND PURIFICATION

- ◉ the continued growth of water consumption
 - ◉ increased requirements for water quality
 - ◉ water flow purification in large volume and at very small amounts of dissolved substances
 - ◉ many stages
- 
- A central image of a water droplet falling into a pool of water, creating ripples. The droplet is captured mid-fall, with a small splash at the point of impact. The background is a light blue gradient.

MAGNETIC WATER TREATMENT DEVICES



MAGNETO HYDRODYNAMIC MACHINES

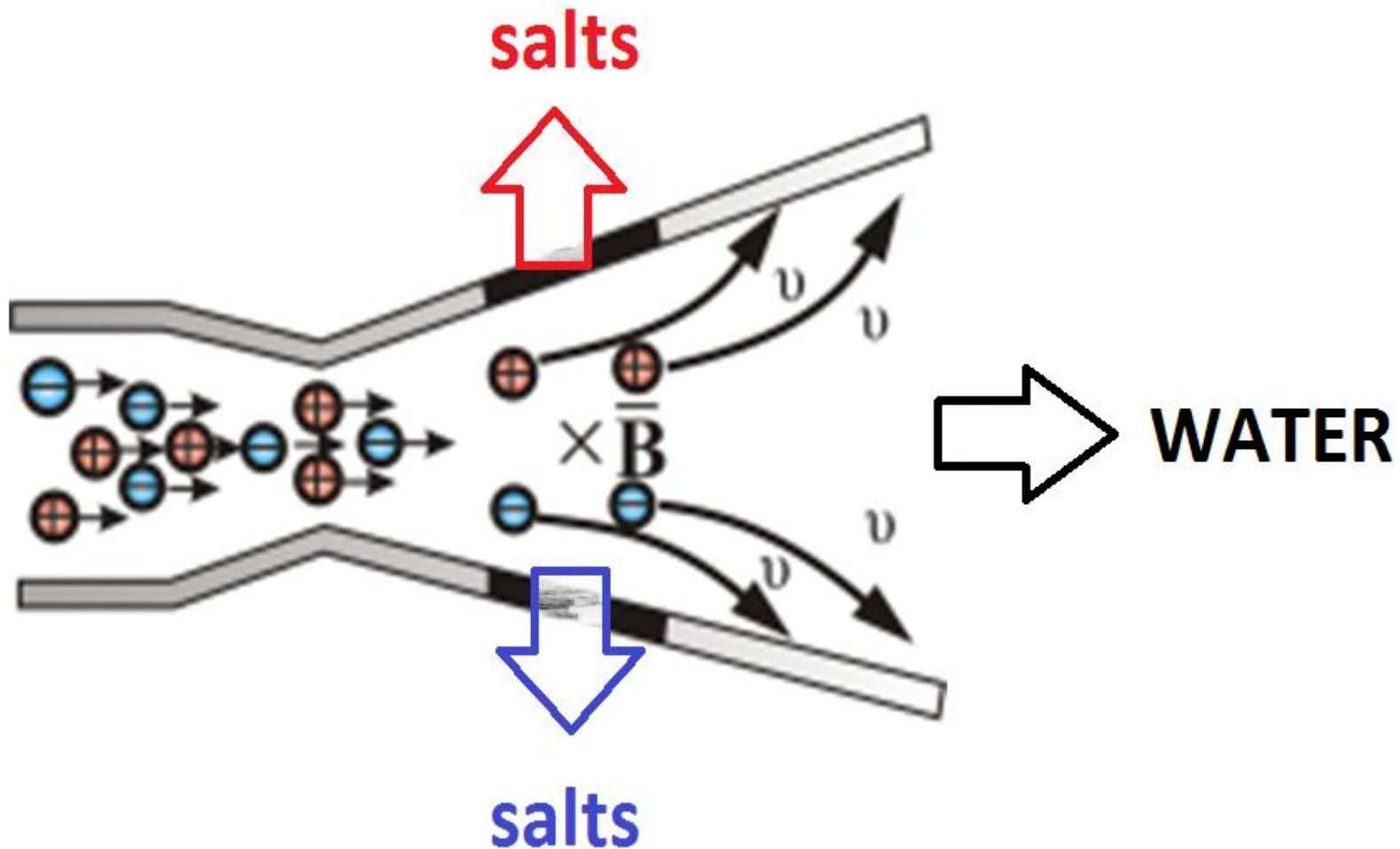


OHM'S LAW, ELECTROMAGNETIC FORCE

$$\mathbf{f} = \mathbf{j} \times \mathbf{B}$$

$$\mathbf{j} = \sigma(\mathbf{E} + \mathbf{V} \times \mathbf{B})$$

MAGNETO HYDRODYNAMIC SEPARATION



**THANK YOU FOR YOUR
ATTENTION**

