



## **Reagent-free water treatment methods.**

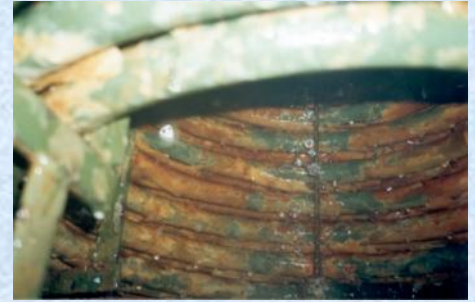
Reagent-free and **ecologically safe** method of water treatment allows you to remove and prevent the deposition of hardness salts in the systems:

- heating systems,
- hot water supply systems,
- cold water supply systems,
- circulating industrial water supply systems.

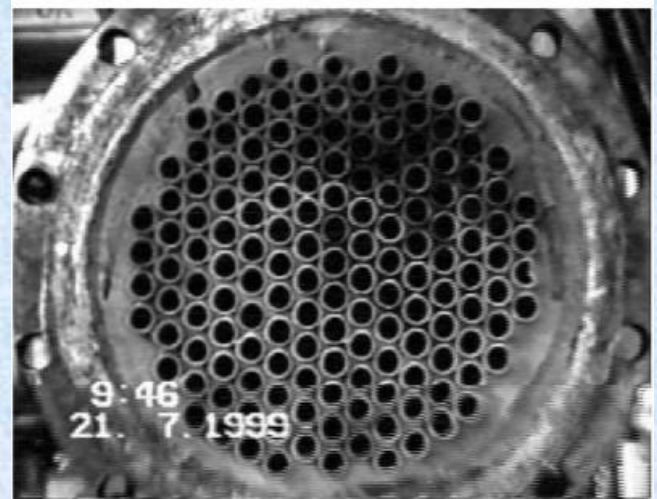
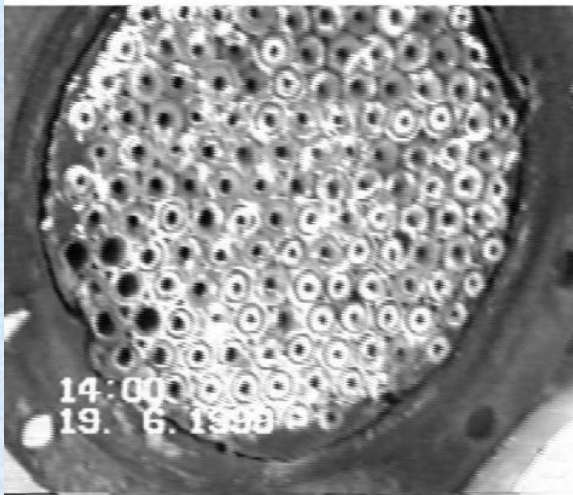
### **Brief description.**

Devices "Magnust" use the original solution, based on a new fundamental ideas about the properties of the magnetic field, confirmed research of professor G. Nikolaev. The difference between the devices "Magnust" and the classic devices - in the structure of the interacting magnetic fields.

Were designed the new magnetic systems and devices of water treatment "Magnust", which use a new high-energy magnets. The use of these devices, in most cases showed good results and high economic efficiency.

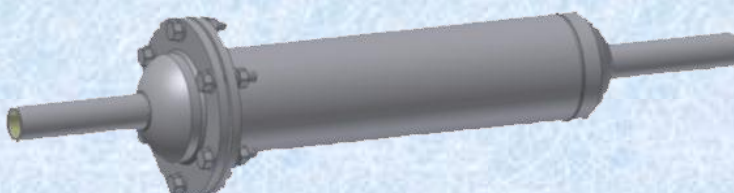


## Dissolving and removing old deposits.



## Benefits

- prevents the salt deposits in heat exchangers, provides the operation without scum;
- dissolves and removes old deposits;
- cleans the inside surfaces of the system;
- has a long service life;
- requires no maintenance;
- does not consume energy;
- pays for itself in 6 - 8 months.



## Area of application

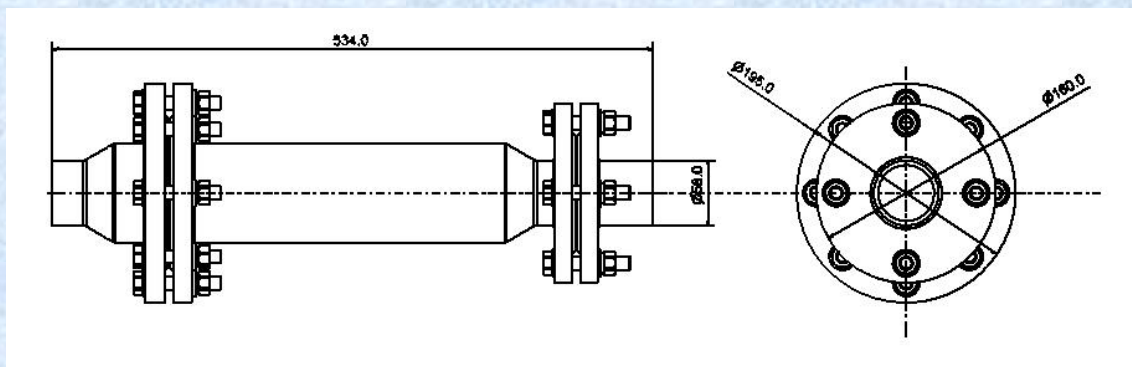
- Power plants
- Central and Local Boiler plants
- Industrial enterprises
- Housing and communal services



**Design and manufacture of the device is carried out individually on the customer's parameters.**

We are not a trading company. We do not produce the devices "Magnust" large serially. We are research organization, and can offer to you our solutions.

According to your criteria, we are ready to develop technology that will allow your equipment to operate without deposition of hardness salts and cleanse it from the older sediments. Then we design and produce the device for you.



## Approximate sizes of designed devices

Pipe diameter, mm	Flow through the device, m <sup>3</sup> /h	Outside diameter of device, mm	Weight, kg
25	5	76	7
45	20	89	11
133	100	154	19
219	200	266	34
322	400	322	48
637	1500	637	120

### For further cooperation, send us the initial data.

- For what purpose and for what system you plan to use the device.
- How much is the initial hardness of the water.
- How much is the water flow rate in the system.

**Address:** Russia, 634050, Tomsk,  
Lenina Avenue, 30, building 4,  
office 112,  
tel/fax +7 3822 564170  
<http://www.tpu.ru/>

Vladimir I. Bespalov  
e-mail: [vibsp@tpu.ru](mailto:vibsp@tpu.ru)  
Victor V. Bespalov  
e-mail: [magnust@mail.ru](mailto:magnust@mail.ru)