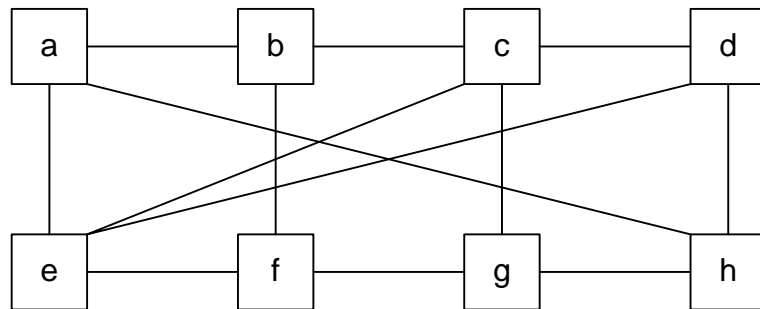


**Planarity and coloring. Variant 1.**

1. Draw the graph without edge intersections or show that it is non-planar.
2. Find the minimum coloring of the graph.



**Planarity and coloring. Variant 2.**

1. Draw the graph without edge intersections or show that it is non-planar.
2. Find the minimum coloring of the graph.

