



Institute of Natural Resources
Department of Fuel Engineering and Chemical Cybernetics

Crude oil distillation

Lecturer: Kirgina Maria Vladimirovna
assistant teacher

● Atmospheric Distillation Unit

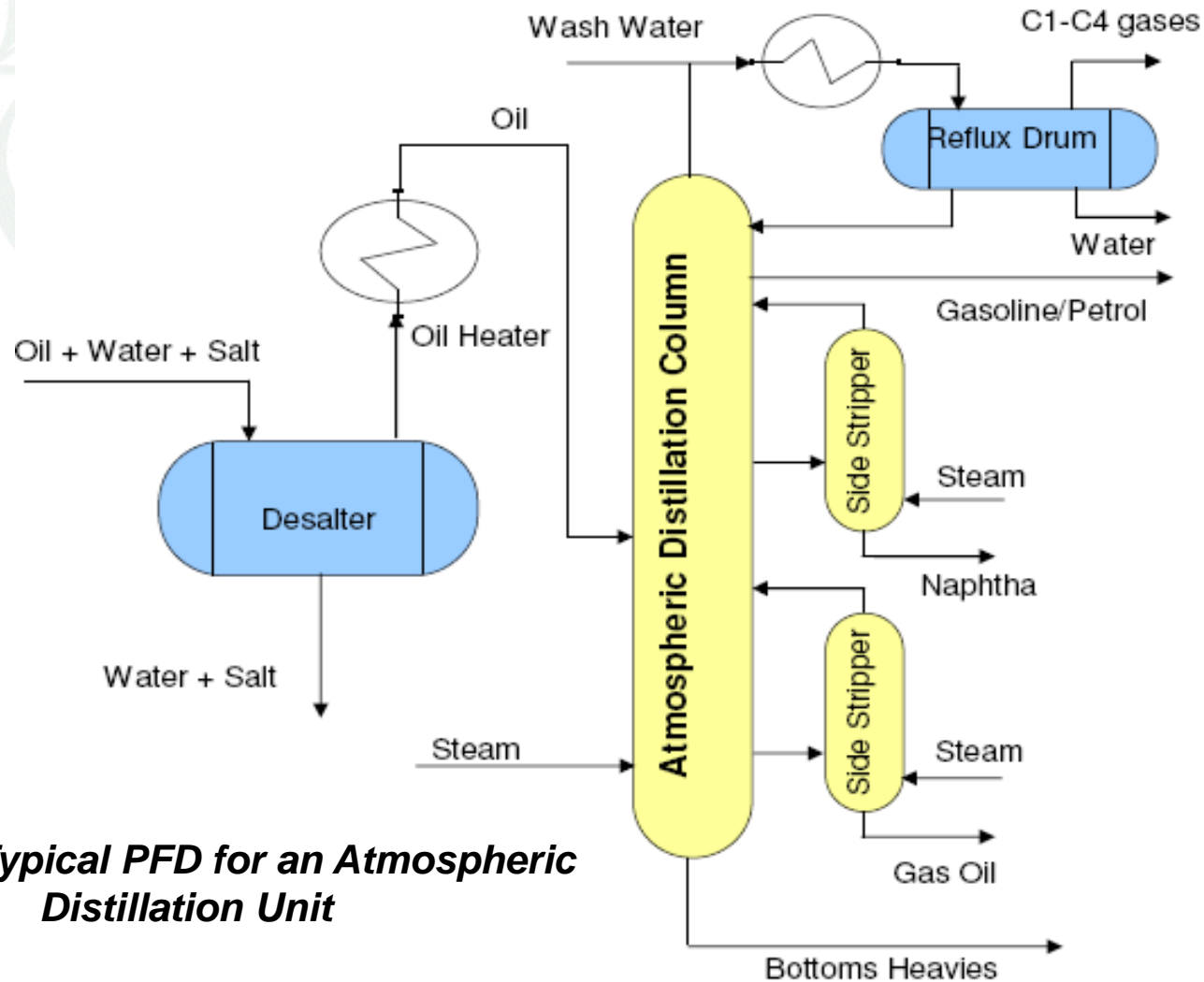


Figure 1. Typical PFD for an Atmospheric Distillation Unit

● Atmospheric Distillation Unit

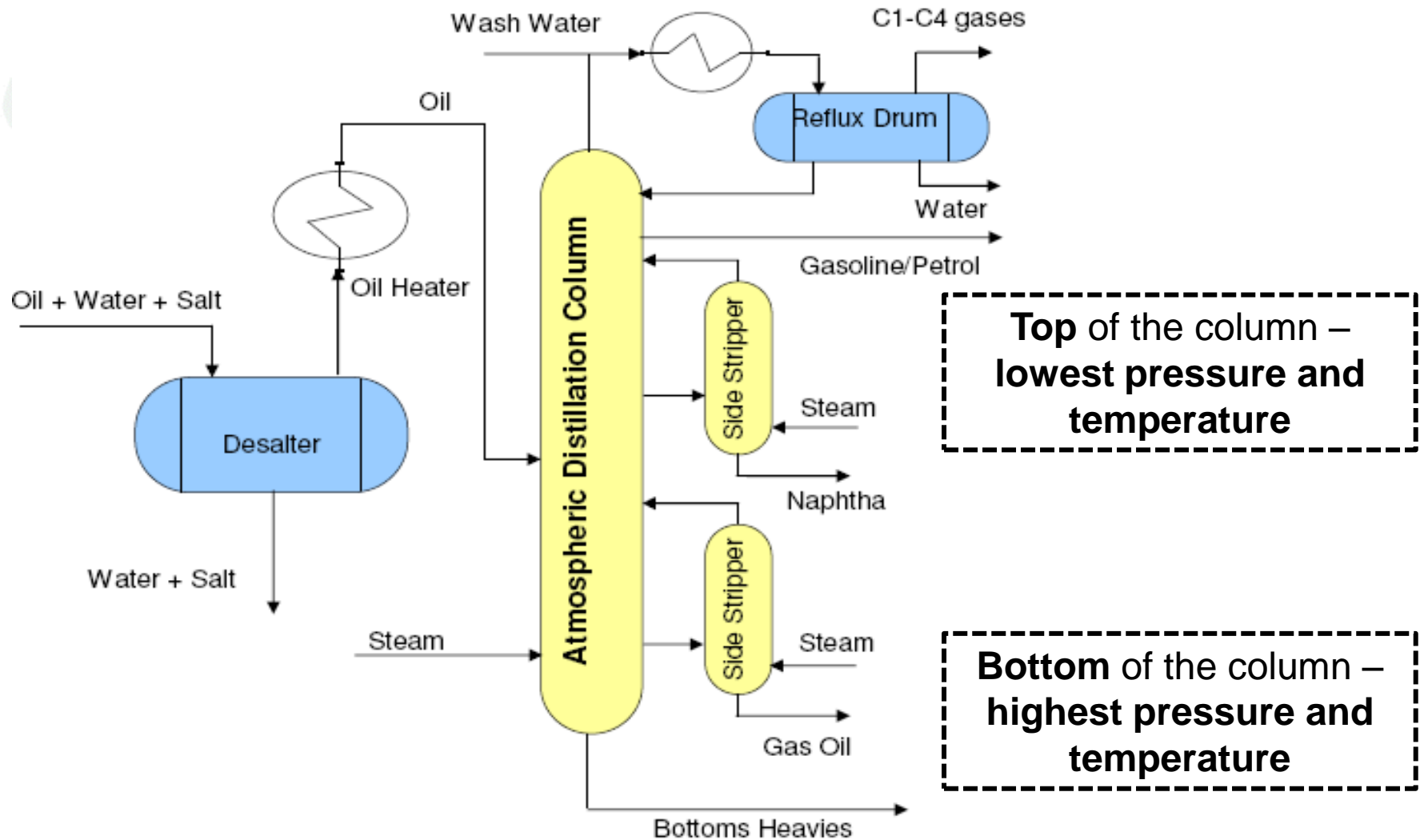


Crude Atmospheric Tower

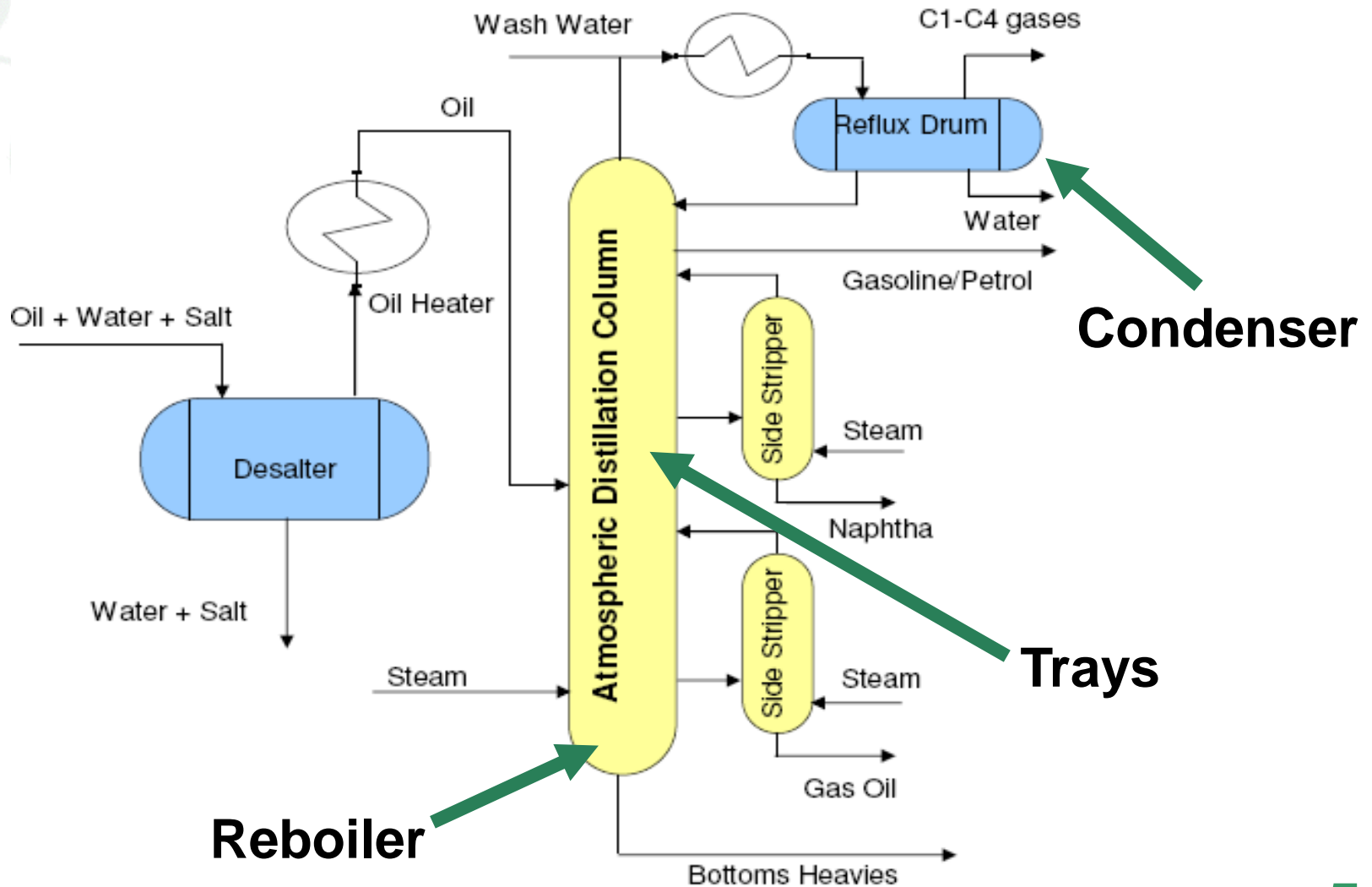
Vacuum Tower



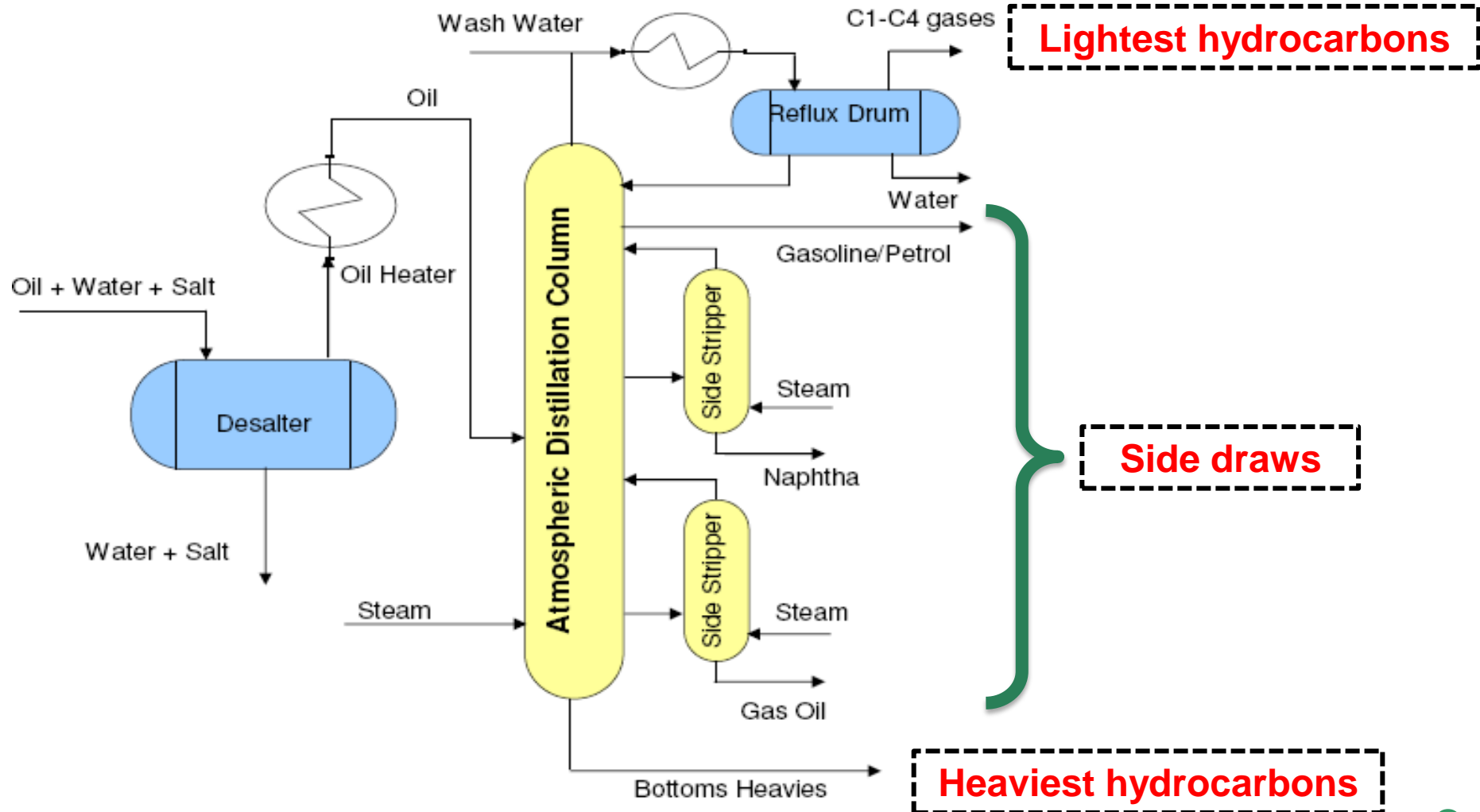
● Atmospheric Distillation Unit



● Atmospheric Distillation Unit



● Atmospheric Distillation Unit



● Vacuum Distillation Unit

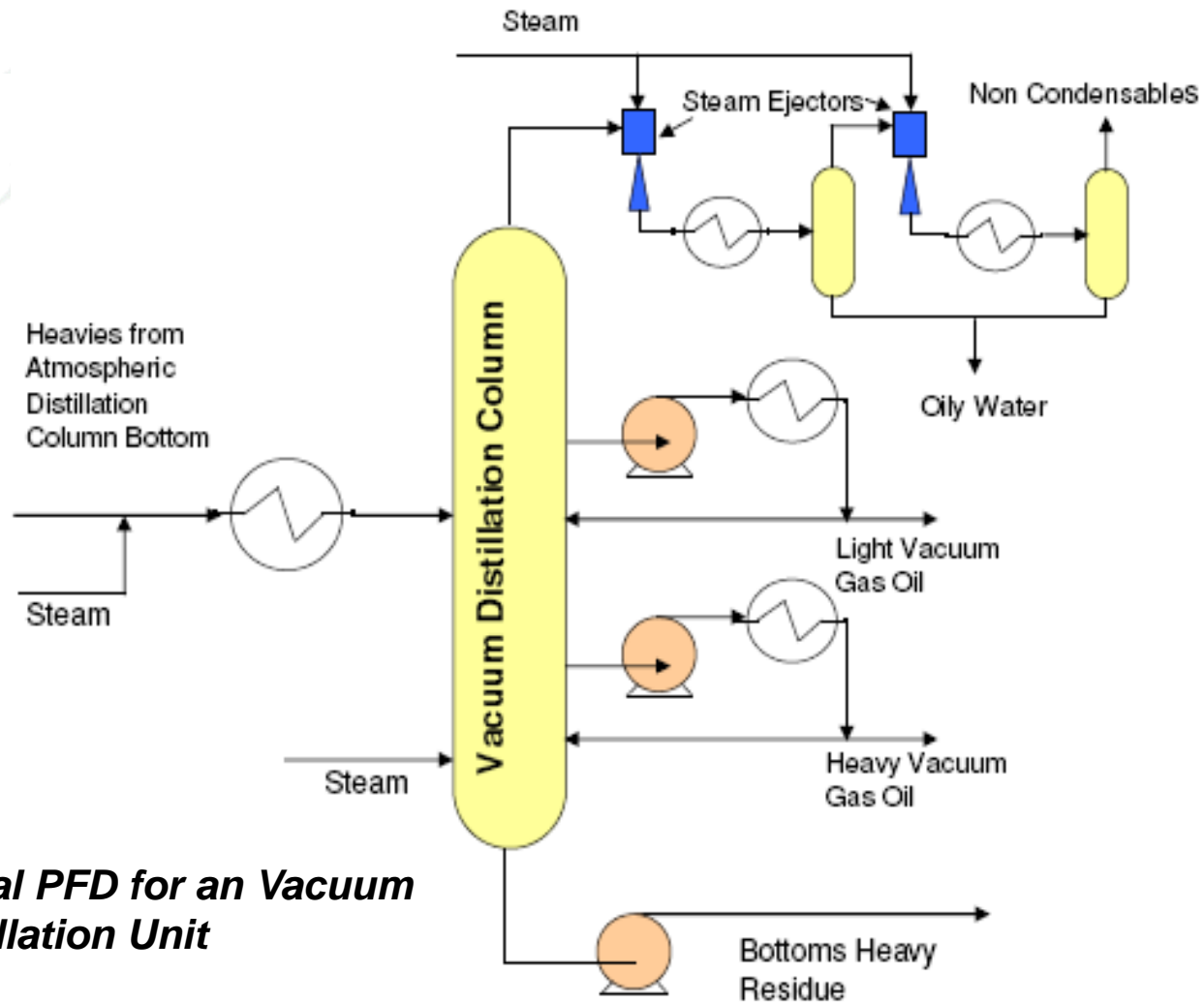
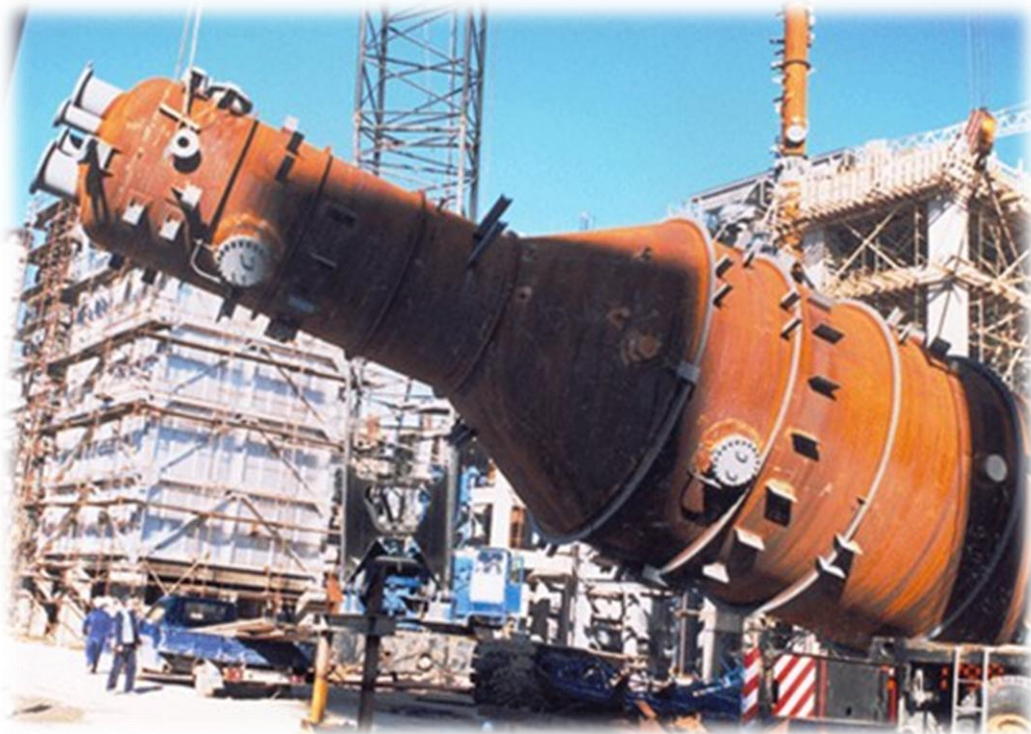
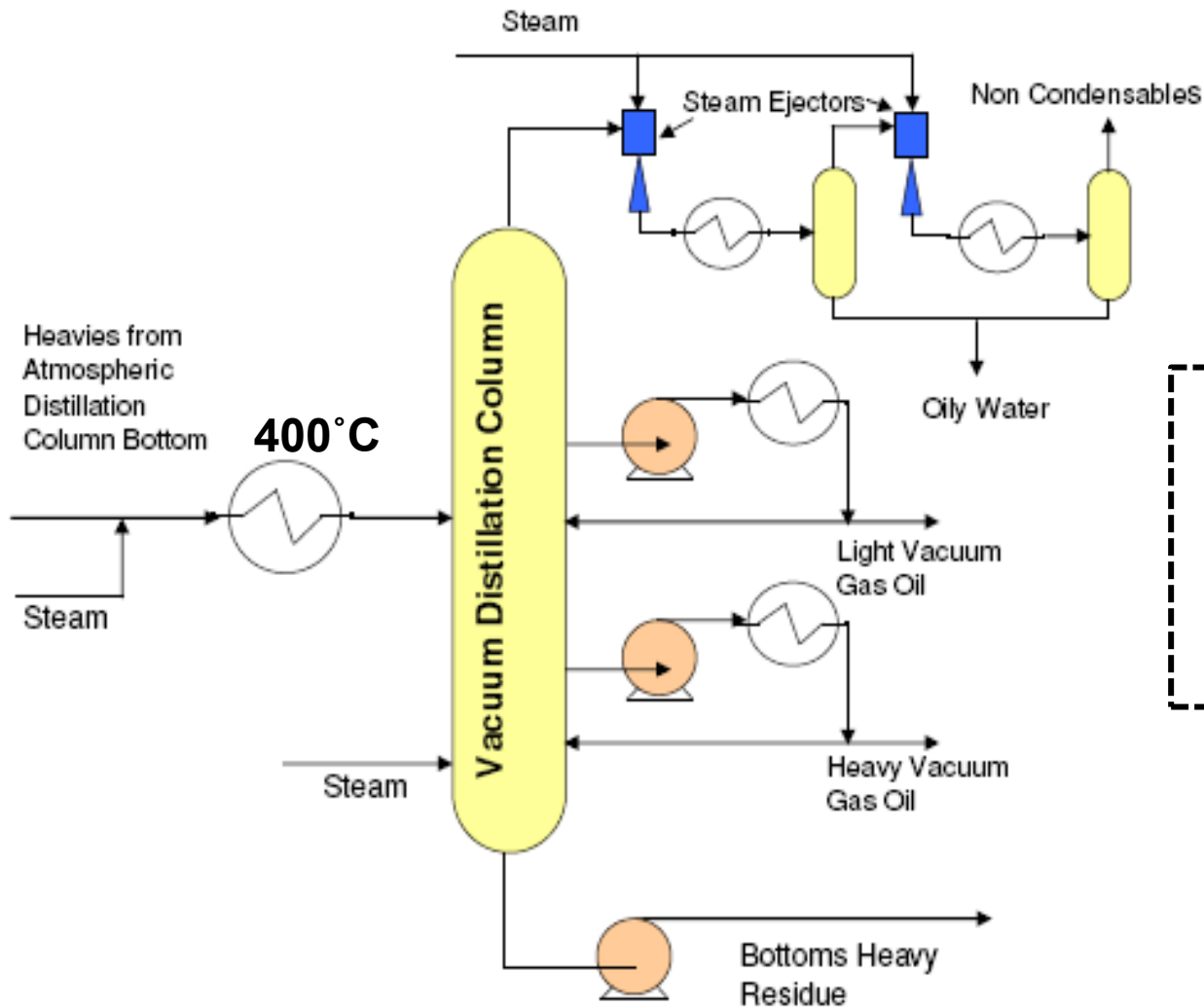


Figure 2. Typical PFD for an Vacuum Distillation Unit

● Vacuum Distillation Unit



● Vacuum Distillation Unit



Reduced pressure
20 mm of Hg or less
(atmospheric pressure is 760 mm Hg)

● Vacuum Distillation Unit

