

## Test

**1. A theodolite is a ...for measuring angles in the horizontal, vertical planes and distances.**

- a) modern machine;
- b) new means;
- c) well-known method;
- d) precision instrument.

**2. Date that is used on the basis of theodolite with a help of ... method.**

- a) stadia;
- b) direct;
- c) indirect;
- d) alternative.

**3. There are ... parts of a theodolite.**

- a) 21;
- b) 19;
- c) 11;
- d) 7.

**4. Theodolite consists of a movable telescope mounted within ... perpendicular axes.**

- a) 2;
- b) 3;
- c) 4;
- d) 5.

**5. The synonym for the word “horizontal” axis is ...**

- a) parallel;
- b) trunnion;
- c) vertical;
- d) curve.

**6. The top is typically threaded with a 5/8" x 11 tpi screw thread.**

- a) 5/8" x 11;
- b) 5/8" x 14;
- c) 5/8" x 13;
- d) 5/8" x 10.

**7. A surveyor's tripod is a ... used to support any one of a number of surveying instruments, such as theodolites, total stations, levels or transits.**

- a) method;
- b) device;
- c) machine;
- d) means.

**8. There are ... main rules for a tripod setup.**

- a) 5;
- b) 3;
- c) 4;
- d) 2.

**9. There are ... main rules for seating and centering the theodolite.**

a) 2;

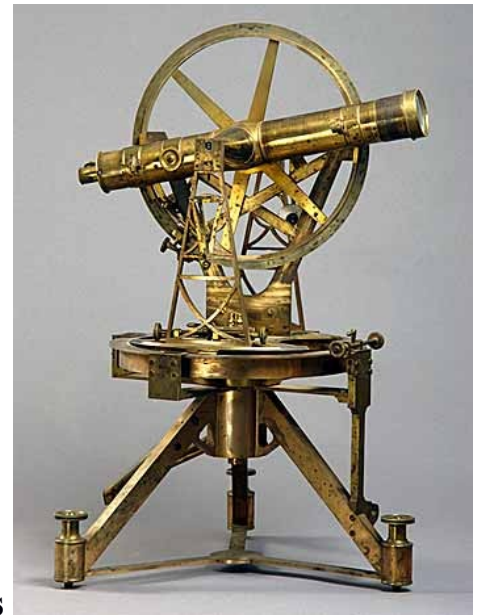
b) 3;

c) 4;

d) 5.

**Answers:**

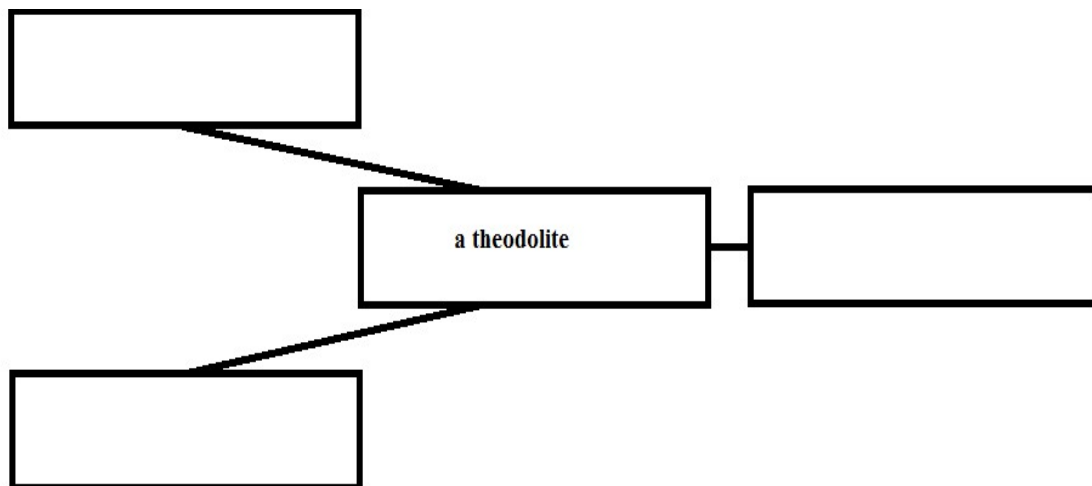




**Additional tasks**



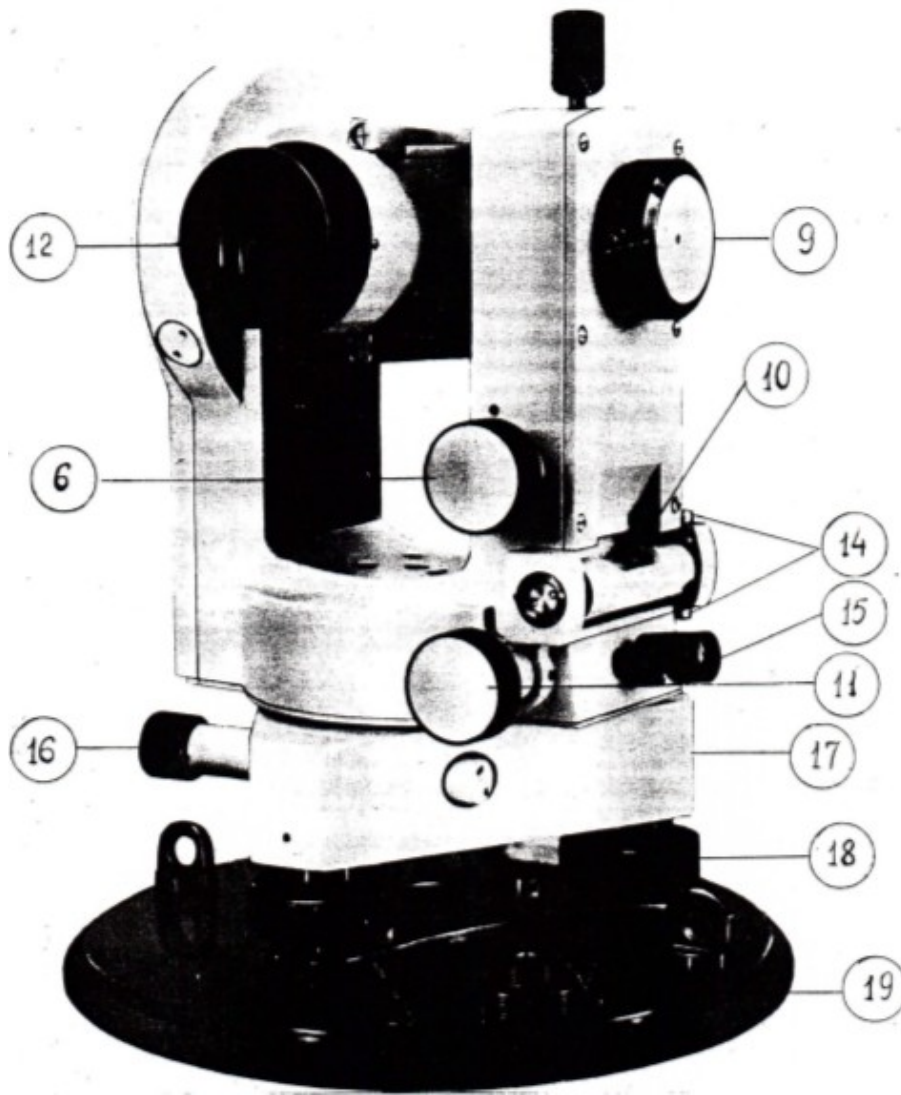
**1. Fill in spidergram with the words associated with a theodolite.**



**2. Discuss and list the important parts of a theodolite using figure 1.**

№	Parts of a theodolite
1.	
2.	

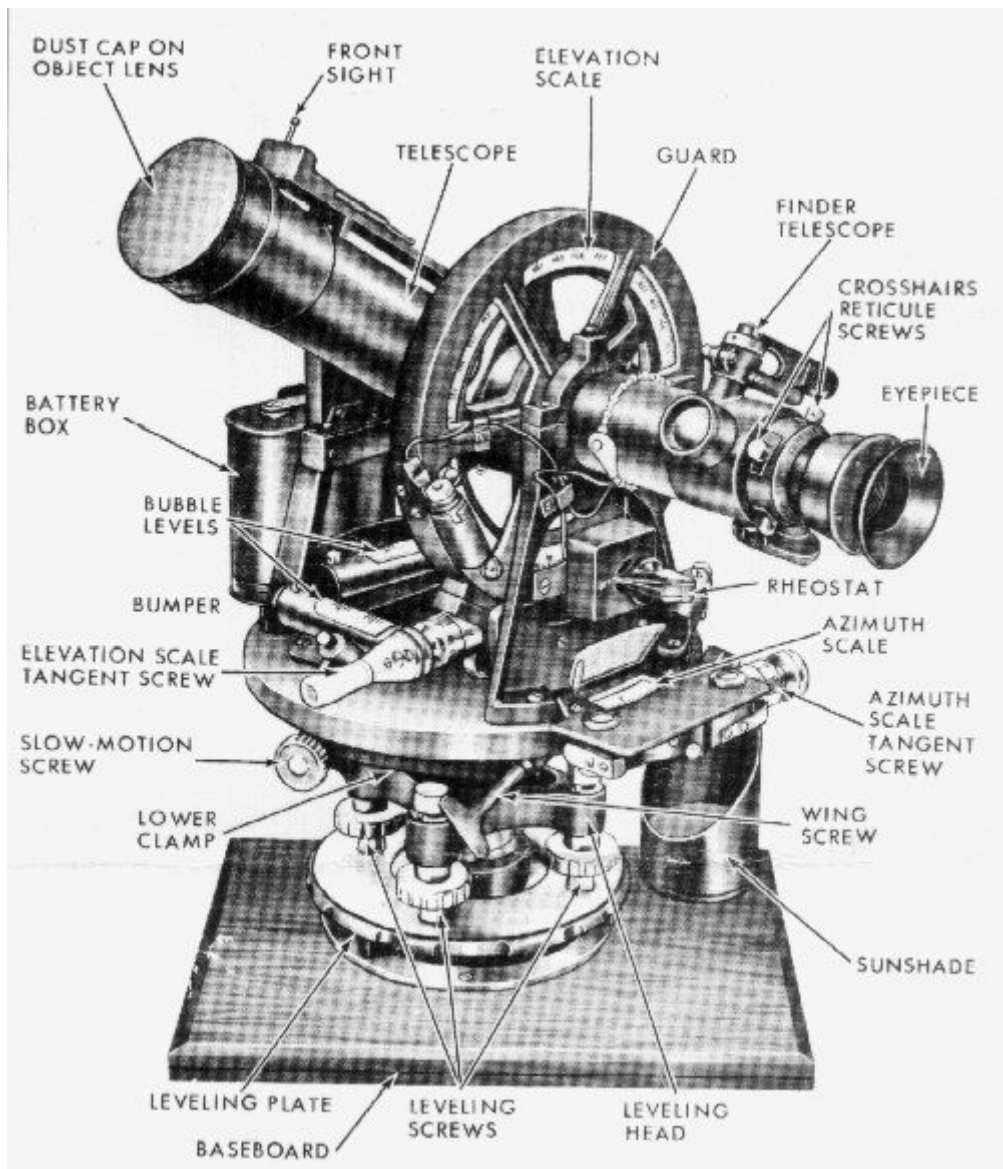
**Figure 1.**



**3. Work in pairs.**

**Discuss with each other different types of a theodolite.**

**Figure 2.**



*Use as many expressions under study as possible.*

Use the expressions of agreement and disagreement

**Agreement** 🗣️😊

I (fully) agree.

I am of the same opinion.

In a way, (in some ways) yes.

I suppose (expect \ believe) so.

I won't deny.

**Disagreement** 🗋️😞

I'm against it (object to).

You are wrong (mistaken).

There's something in what you say, but...

On the contrary.

I disagree with you (on that point)



4. Discuss and list the important parts of a theodolite using figure 3.

Figure 3.

