

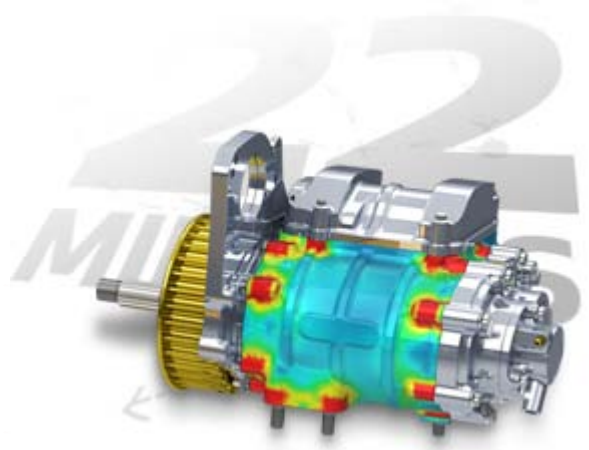
# 22-MINUTE WEBINAR: Meet Your Design Criteria with Comprehensive Simulation

**WHAT:** Discover 4 tools for powerful virtual simulation that empowers better decision-making while you design

**WHEN:** May 14th, 2013

-----  
**Session 1: 11:30 am EST » REGISTER**

**Session 2: 1 pm EST » REGISTER**  
-----



Integrating seamlessly with SolidWorks® 3D CAD, our powerful Simulation suite can help you meet your design demands by accurately assessing real-world product performance—eliminating costly, time-consuming prototyping cycles.

**In just 22 minutes**, you will learn how product designers can use FEA insights to quickly perform "What if?" simulations and optimize designs faster than ever. Discover how to use the comprehensive toolset SolidWorks Simulation offers for a wide range of critical testing needs, including:

- Linear and nonlinear static analysis
- Fatigue, vibration, and thermal failure modes
- Flow fields, pressure drop, heat transfer, and force prediction

**Space is limited**, so sign up today to learn how Simulation can help you boost innovation and meet your design criteria.

**» REGISTER HERE** for the **11:30 am EST** session

**» REGISTER HERE** for the **1 pm EST** session

**» REQUEST A QUOTE** and put SolidWorks Simulation to work for you.