

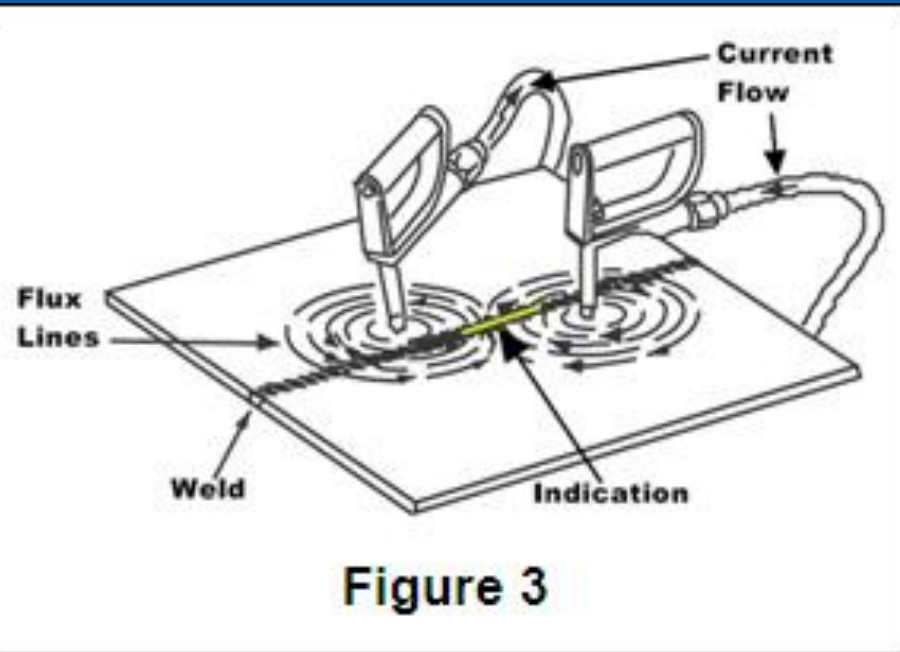
PART 5

DANGEROUS INDUSTRIAL OBJECTS

Dangerous Industrial Objects

Prods

Prod units use direct induction, where the current runs through the part and a circular magnetic field is generated around the legs as shown in Figure 3.



Because the magnetic field between the prods is travelling perpendicular to a line drawn between the prods, indications

Dangerous Industrial Objects

Boiler industry objects

Natural gas industry objects

Materials handling equipment

Metal mining industry objects

Coal-mining industry objects

Petroleum and natural gas industry objects

Metal manufacture objects

Explosive substance, fire risk and chemically dangerous objects

Railway transport objects

Grain storage and processing objects

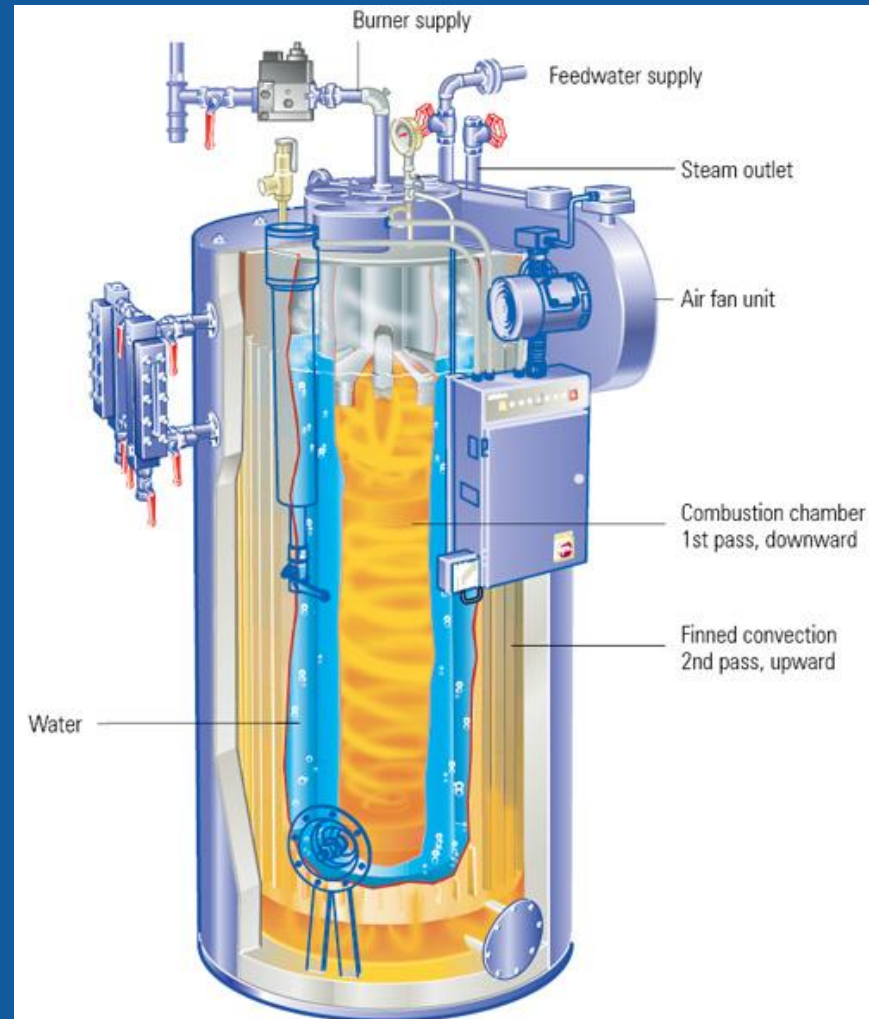
Buildings and constructions

Power industry objects

Dangerous Industrial Objects

Boiler industry objects

**steam-boiler,
hot-water boiler
electric boiling pan
vessels under the pressure
steam pipelines
hot-water pipelines
pressure chamber**



Dangerous Industrial Objects

Natural gas industry objects

outer steel gas pipeline

outer polyethylene gas pipeline

outer composite material gas pipeline

inner steel outer gas pipeline

gas fitting



Dangerous Industrial Objects

Materials handling equipment

climbing crane

elevator, lift

rope-way, cable-way

funicular (railway), cable car

escalator, moving

staircase/stairway

lift; elevator

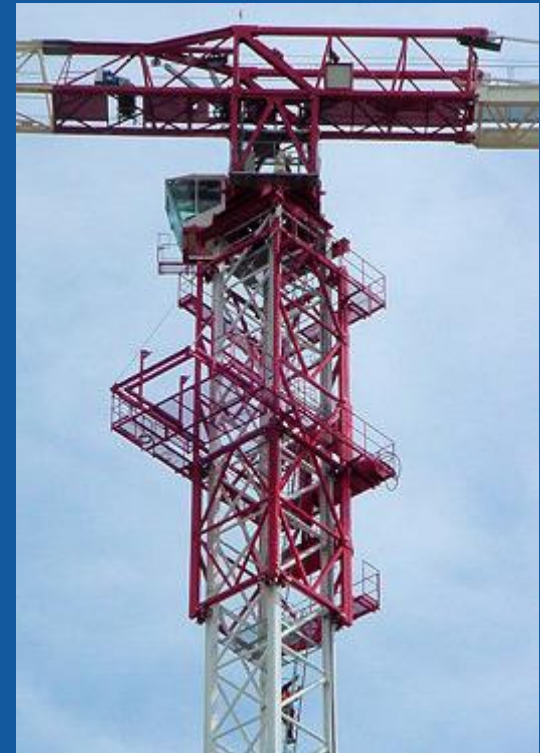
pipelayer crane

crane-manipulator

elevating platform, lifting

platform

gantry rail



Dangerous Industrial Objects

Metal mining industry objects

**Buildings and
constructions of mining
industry objects**

iron mine

copper mine

stannary

gold-mine

zinc mine

concentrating mill

mine cage

agglofactory



Dangerous Industrial Objects

Coal-mining industry objects

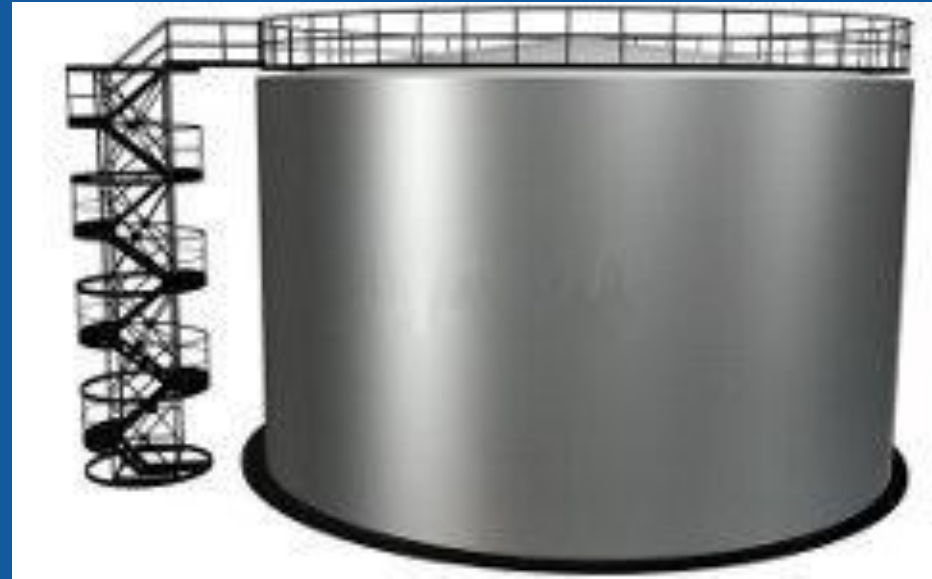
**mine hoist
ventilator, fan
coal-cleaning plant,
coal-preparation plant**



Dangerous Industrial Objects

Petroleum and natural gas industry objects

**well-boring equipment,
well-sinking equipment
well operation equipment
well repair equipment
well completion, well
development
gas pipeline,
gasoline pipeline
oil reservoir
gascompressor unit**

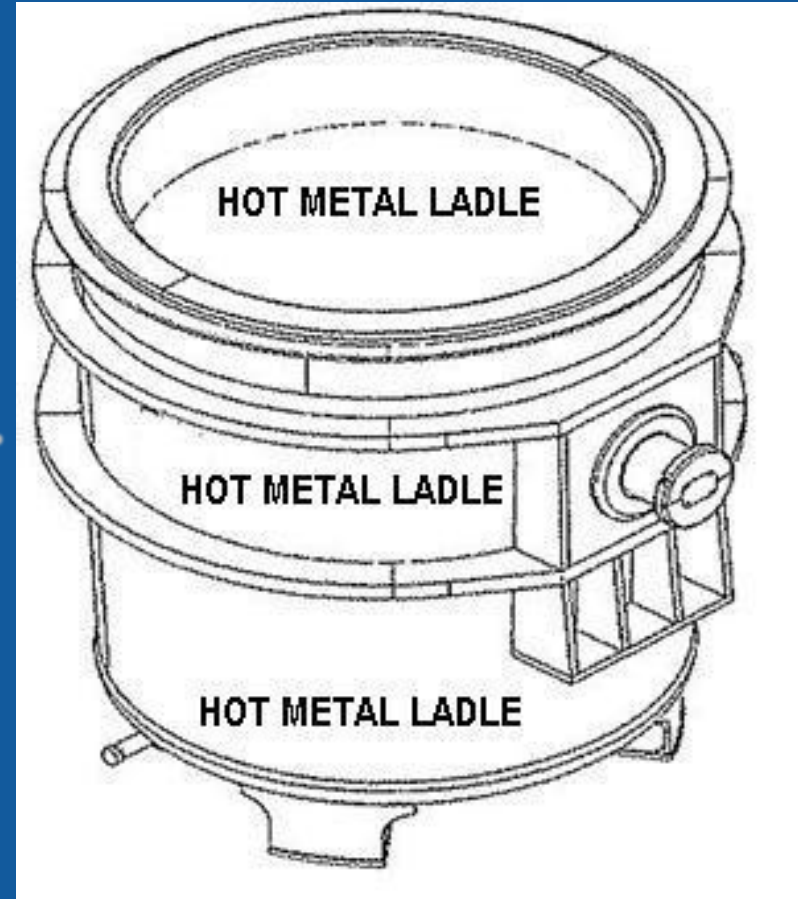


Dangerous Industrial Objects

Metal manufacture objects

trunnion of ladle

trunnion of hot-metal ladle car



Dangerous Industrial Objects

Explosive substance, fire risk and chemically dangerous objects

cryogenic facilities, cryogenic machinery

ammonia refrigerating system

heat-recovery boiler

pumping equipment

compressor equipment

toxic substance container



Dangerous Industrial Objects

Railway transport objects

**railway siding
tank-wagon**



Dangerous Industrial Objects

Grain storage and processing objects

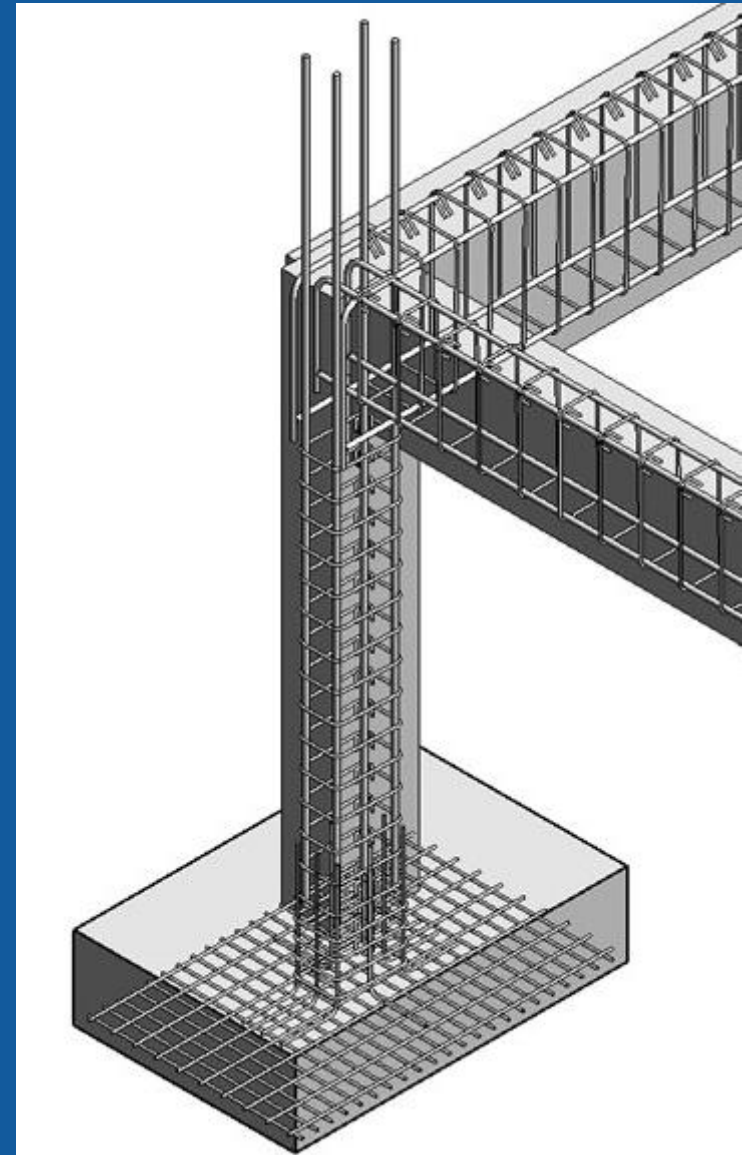
**centrifugal blower
entoleter
primary crusher
blowing engine**



Dangerous Industrial Objects

Buildings and constructions

steel arch
reinforced concrete
construction
concrete wall
masonry structure
reinforced masonry beam



Dangerous Industrial Objects

Power industry objects

